

# SILICON VALLEY METRO

## LARGEST RETAIL COLOCATION FOOTPRINT AND DENSEST INTERCONNECTIVITY IN THE SILICON VALLEY REGION

Equinix helps companies accelerate business performance by connecting them to their customers and partners inside the world's most networked data centers.

Our Silicon Valley data centers are business hubs for 655+ companies. Customers can choose from a broad range of network services from 145+ providers. There is an ecosystem concentration of content, social media, software/SAAS, cloud, and services companies all of which are incredibly influential in the acceleration of the digital economy. Equinix customers can interconnect directly to customers and partners in their digital supply chain.

The Silicon Valley colocation facilities enable customers to be part of a rich industry ecosystem. Equinix has the largest retail colocation footprint and densest interconnectivity in the Silicon Valley region, with many mature business ecosystems to match customers with the right business partners.

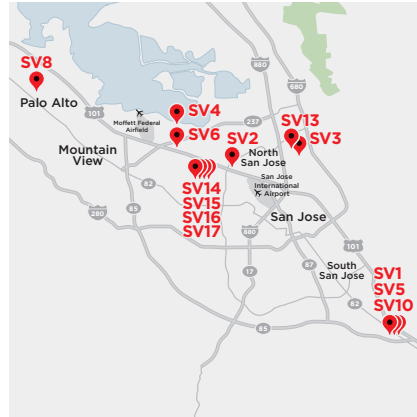
### Silicon Valley metro facilities

The Equinix Silicon Valley metro International Business Exchange™ (IBX®) data centers consist of seven buildings with more than 545,000+ square feet (50,675+ square meters) of colocation space. Provides access to key metro areas such as Seattle, Denver and Los Angeles via one of the carriers in the facilities. The addition of SV10, scheduled to open in July 2017, will increase our Silicon Valley colocation space by 37,000+ square feet (3,000+ square meters).

### Equinix value by vertical

#### For network service providers

- One of the world's largest internet exchanges and peering points with 145+ network service providers for unparalleled customer reach
- Access to the two largest peering hubs in the Silicon Valley market
- Access to Google Cloud Platform, AWS Direct Connect and Microsoft Azure ExpressRoute through the Equinix Cloud Exchange™



#### For enterprises

- Performance Hub™ to enable next generation WAN architecture for a secure and highly reliable connectivity to 145+ network service providers and 235+ cloud and IT service providers
- Access to Google Cloud Platform, AWS Direct Connect and Microsoft Azure ExpressRoute through the Equinix Cloud Exchange™



Equinix SV5 IBX exterior

#### For cloud and IT services providers

- Ability to connect to 655+ customers, partners, content providers, networks and internet service providers
- Equinix Cloud Exchange™ allows them to quickly and easily offer direct cloud access globally



Equinix SV8 IBX colocation

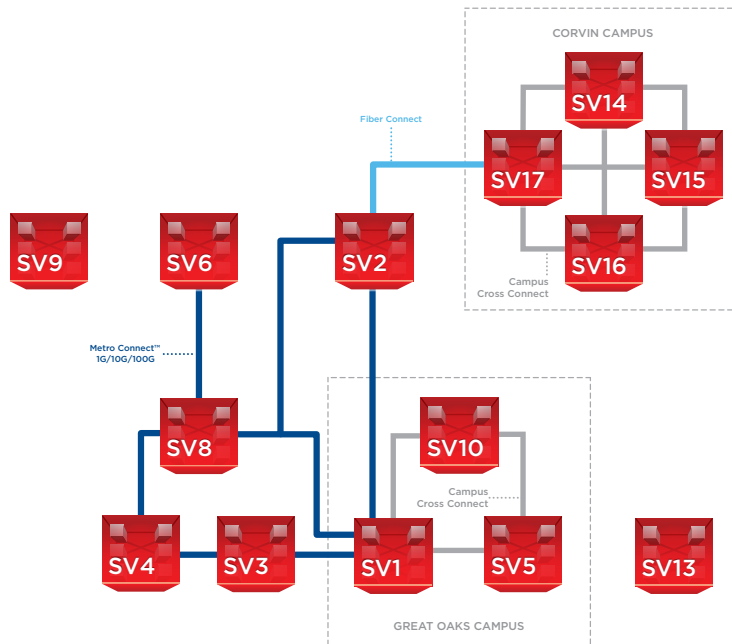
#### For content and digital media

- Direct connectivity to leading international network carriers, including China Telecom, Global Cloud Xchange and Bharti Airtel Ltd. to reduce latency and improve end user experience
- Interconnect with top Content Delivery Networks (Akamai Technologies, Limelight Networks, Edgecast Networks, etc.)

#### For financial services

- A key hub for the world's electronic payments community (Visa, Square, Bill.com, Izzette AB, Quisk, Capital One, etc.)

## Connectivity options through Equinix



## Reasons to believe in us

### Global data centers

- 200 data centers, 52 major markets, \$21B+ capital invested in capacity/new markets, global availability 99.9999%+

### Connected

- 1,700+ networks, 270,000+ cross connects, less than 10ms latency to 90% of the population of North America, Western Europe, top markets in Asia-Pacific and Brazil

### Partners, customers and prospects

- Blue-chip customer base of 9,800+ global businesses across 24 countries, on 5 continents representing network, digital media, financial services, cloud/IT and enterprise leaders

### Opportunity

- A dynamic \$5.5B marketplace for communications services filled with businesses, networks, carriers and content providers all interconnecting to potential suppliers, customers and partners

## Equinix customer count per vertical



### Contact Us

Phone: +1.800.322.9280

Web: [Equinix.com/contact-us/sales](https://www.equinix.com/contact-us/sales)