

NEW YORK METRO

HOME TO THE EQUINIX FINANCIAL EXCHANGE

Equinix helps companies accelerate business performance by connecting them to their customers and partners inside the world's most networked data centers.

Our New York data centers are business hubs for 850+ companies. Customers can choose from a broad range of network services from 135+ network service providers. There is a high concentration of customers in the financial sector for cloud providers targeting financial customers (e.g., data analytics providers) and a dense concentration of ad-tech companies directly connecting on Equinix's Ad-IXTM advertising exchange. All Equinix customers can interconnect directly to customers and partners in their digital supply chain.

The New York colocation facilities enable customers to be part of a rich industry ecosystem. Our New York data centers are located in Newark (NY1), Bergen (NY7), Manhattan (NY8 and NY9), and Secaucus (NY2, NY4, NY5, NY6). The Secaucus campus provides access to the rich ecosystems of New York Carrier Hotels via Fiber cross connect. Together, the New York metro supports many of the world's largest companies including financial services and media firms.

New York metro facilities

The Equinix New York metro International Business Exchange™ (IBX®) data centers consist of eight buildings with more than 731,000+ square feet (67,950+ square meters) of colocation space. Facilities are compliant with SSAE16 SOC 1 Type II, an auditing standard for service provider locations (NY1, NY2, NY4 and NY7 only).

Equinix value by vertical

For network service providers

- Direct connect to 135+ network service providers
- Generate new revenue with direct connect opportunities through a number of Cloud and Content providers
- Access to Microsoft Azure ExpressRoute via the Equinix Cloud Exchange™



- Access to dark fiber cross connects in New York's Carrier Hotels ecosystem

For enterprises

- Performance Hub™ to enable next generation wide area network (WAN) architecture for a secure and highly reliable connectivity to 135+ network service providers and 155+ Cloud and IT Service Providers
- Equinix Professional Services and partners help facilitate deployments into a data center
- On-demand and direct access to Microsoft Azure, Office 365 and multiple cloud providers and networks via the Equinix Cloud Exchange™



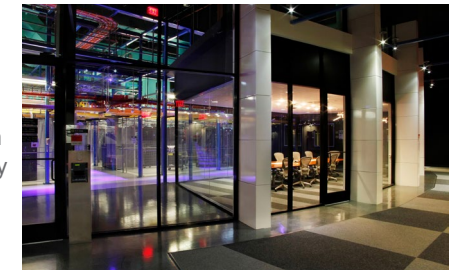
Equinix NY5 IBX exterior

For cloud and IT services providers

- Ability to connect to 850+ customers, partners, content providers, networks and internet service providers
- Equinix Cloud Exchange™ allows providers to quickly and easily offer direct cloud access globally

For content and digital media

- Equinix's network and interconnection will help with latency and jitter, thereby increasing performance and reliability
- Direct access to top Content Delivery Networks like Limelight Networks, Akamai Technologies and Fastly, Inc.
- Dense concentration of ad-tech companies directly connecting on Equinix's Ad-IX advertising ecosystem



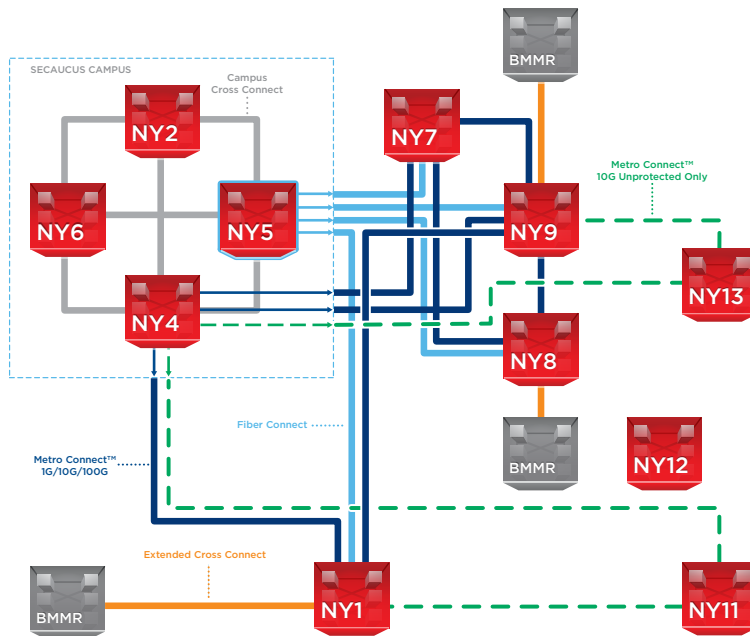
Equinix NY4 IBX colocation and conference space

For financial services

- Home of the Equinix Financial Exchange with a large ecosystem of financial firms
- Low latency connectivity to BATS, CBOE, ICAP, Knight Capital, ISE and BOX
- Access to a rich array of service providers like Activ Financial and Bloomberg

AT-A-GLANCE NEW YORK METRO

Connectivity options through Equinix



Note: All connectivity has diverse paths, except the NY5 to NY7 Fiber Connect and all BMMR connectivity.

Note: The connections to the BMMR are either Extended Cross Connect, Extended Fiber Connect or Extended Metro Connect.

Reasons to believe in us

Global data centers

- 200 data centers, 52 major markets, \$21B+ capital invested in capacity/new markets, global availability 99.9999%+

Connected

- 1,700+ networks, 270,000+ cross connects, less than 10ms latency to 90% of the population of North America, Western Europe, top markets in Asia-Pacific and Brazil

Partners, customers and prospects

- Blue-chip customer base of 9,800+ global businesses across 24 countries, on 5 continents representing network, digital media, financial services, cloud/IT and enterprise leaders

Equinix customer count per vertical



Contact Us

Phone: +1 800 322 9280

Web: [Equinix.com/contact-us/sales](https://www.equinix.com/contact-us/sales)