

LOS ANGELES METRO

THE STRATEGIC MEETING PLACE FOR U.S. AND ASIAN MARKETS

Equinix helps companies accelerate business performance by connecting them to their customers and partners inside the world's most networked data centers.

Our Los Angeles data centers are business hubs for 295+ companies. Customers can choose from a broad range of network services from 80+ network service providers. Equinix customers can interconnect directly to customers and partners in their digital supply chain.

The Los Angeles colocation facilities enable customers to be part of a rich industry ecosystem. Located in downtown Los Angeles (LA1 and LA2) or in El Segundo (LA3 and LA4), these data centers service managed hosting services, social media platforms and online retail services. In addition, the Equinix data centers are a strategic meeting place for U.S. and Asian markets.

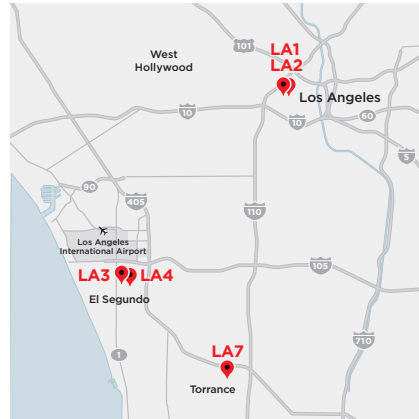
Los Angeles metro facilities

The Equinix Los Angeles metro International Business Exchange™ (IBX®) data centers consists of four buildings with more than 215,000 square feet (19,900+ square meters) of colocation space. Customers have access to the second largest peering exchange in Los Angeles. Provides key access to key metro areas such as San Francisco and Dallas via one of the carriers in the facilities.

Equinix value by vertical

For network service providers

- Strategic meeting place for US and Asian markets; direct connect to 80+ network service providers
- Access to international carriers such as China Telecom, Reliance Communications and Tata Communications
- Access to Microsoft Azure ExpressRoute and Amazon Web Services (AWS) Direct Connect via Equinix Cloud Exchange™



For enterprises

- Performance Hub™ to enable next generation wide area network (WAN) architecture for a secure and highly reliable connectivity to 80+ network service providers and 50+ Cloud and IT Service Providers
- On-demand and direct access to multiple cloud providers and multiple networks via the Equinix Cloud Exchange



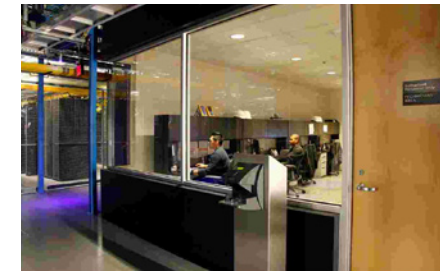
Equinix LA4 IBX exterior

For cloud and IT services providers

- Ability to connect to 295+ customers, partners, content providers, networks and internet service providers
- Equinix Cloud Exchange allows them to quickly and easily offer direct cloud access globally
- Ability to sell to 50+ Content and Digital Media Providers and access to 80+ network service providers

For content and digital media

- Direct connectivity to leading Asian network operators for reduced latency: China Telecom, Reliance Communications and Tata Communications
- Interconnect with top Content Delivery Networks (Akamai Technologies, Limelight Networks, Fastly, Inc., etc.) to improve latency and help improve user experience
- Peer with last-mile broadband networks that directly serve 13.2M people in the Los Angeles metro area to improve Quality of Experience (QoE) by reducing latency and reducing variability in end to end transit times



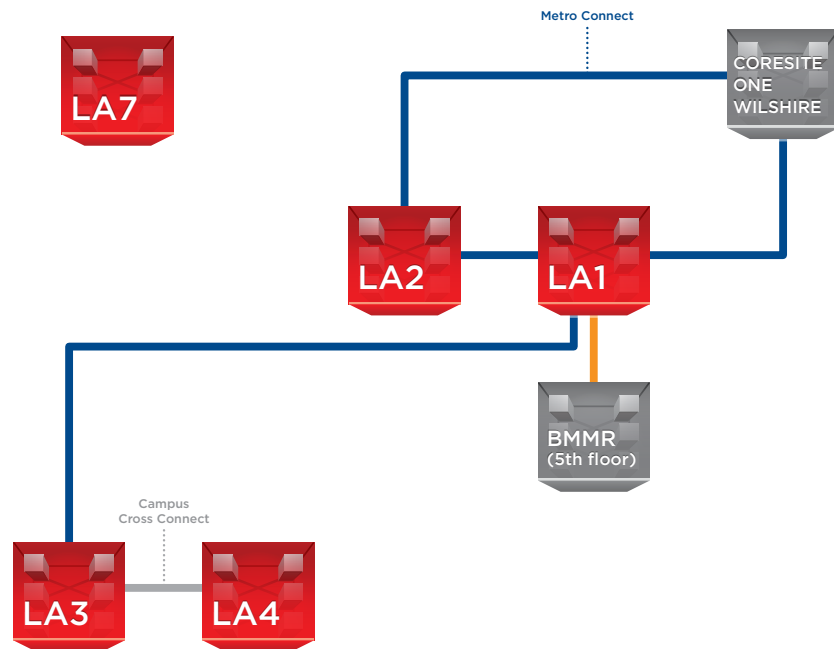
Equinix LA4 IBX Operations

For financial services

- A key hub for the world's electronic payments community

AT-A-GLANCE LOS ANGELES METRO

Connectivity options through Equinix



Reasons to believe in us

Global data centers

- 200 data centers, 52 major markets, \$21B+ capital invested in capacity/new markets, global availability 99.9999%+

Connected

- 1,700+ networks, 270,000+ cross connects, less than 10ms latency to 90% of the population of North America, Western Europe, top markets in Asia-Pacific and Brazil

Partners, customers and prospects

- Blue-chip customer base of 9,800+ global businesses across 24 countries, on 5 continents representing network, digital media, financial services, cloud/IT and enterprise leaders


Equinix customer count per Vertical



80+
Network




60+
Enterprise



20+
Financial Services



50+
Content and Digital Media



70+
Cloud and IT Services

Contact Us

Phone: +1 800 322 9280

Web: [Equinix.com/contact-us/sales](https://www.equinix.com/contact-us/sales)